

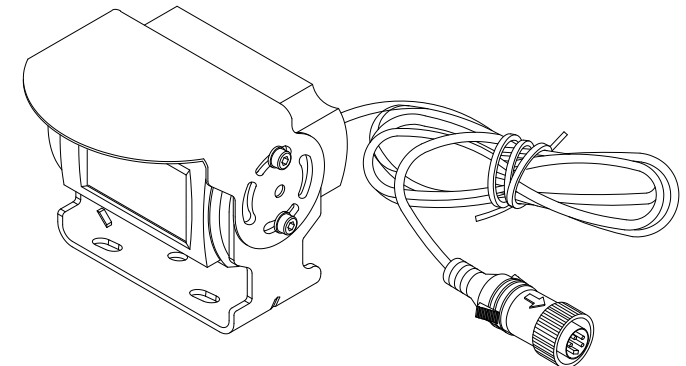
TABLE 1: BE-89XC CAMERA KIT OPTIONS

PART NO.	MODEL NO.	DESCRIPTION
2871D	BE-890C	CAMERA, ELITE, HEATED, ULTRA-LOW-LIGHT, PAL, NO AUDIO
5426	BE-891C	CAMERA, ELITE, HEATED, ULTRA-LOW-LIGHT, NTSC, NO AUDIO

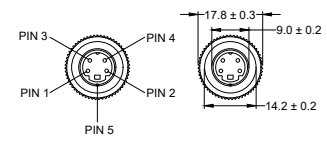
TABLE 2: CAMERA KIT CONTENTS

ITEM	①	②	③	④	⑤	⑥
PART NO.	3288D	5427	3244A	3245	3246	3247B
MODEL NO.	BE-890C-C	BE-891C	BE-89XC.BE-X OXC-BKT	BE-89XC/BE-X0 XC-SS	BE-8/2XXC-FI X	BE-8XXC.BE-2 XXC-IG
DESCRIPTION	CAMERA, HEATED, PAL, NO AUDIO	CAMERA, HEATED, NTSC, NO AUDIO	BE-8XXC.BE2 XXC SERIES BRACKET	BE-8XXC.BE2X XC SERIES SUNSHIELD	BE-8XXC.BE2 XXC SERIES FIXING KIT	XC SERIES INSTALLATION GUIDE (NOT SHOWN)
BE-890C	QTY. 1	-	1	1	1	1
BE-891C	QTY. -	1	-	-	-	-

Revision Notes.				
R1 -				
APA: -	Drawn:-	Checked:-	Approved:-	Date: -

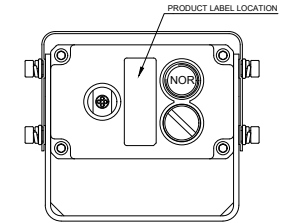
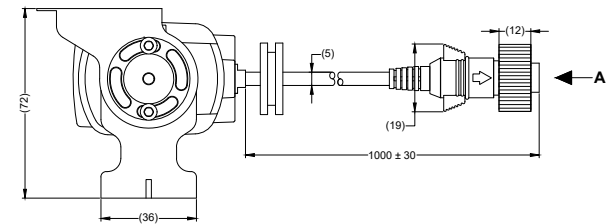
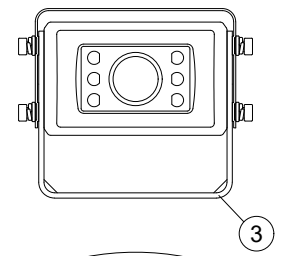
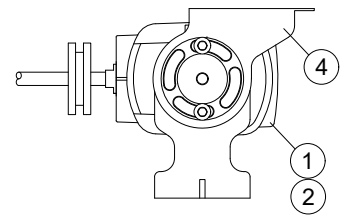
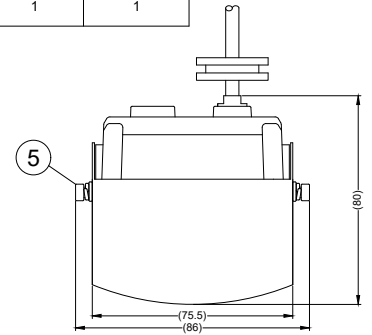


VIEW A



4 PIN MINI DIN MALE MATING FACE

PIN #	WIRE COLOUR	DESCRIPTION
1	YELLOW	VIDEO
2	RED	+12V
3	BLUE	N.C
4	WHITE	N.C
5	BLACK/SHIELD	GND



NOTES:
 1. REFER TO COMPONENT DRAWINGS FOR COMPONENT DETAILS.
 2. FOR PRODUCT LABEL AND PACKAGING DETAILS REFER TO MASTER BOM.
 3. FOR INSTALLATION DETAILS REFER TO INSTALLATION GUIDE.
 4. ANY CUSTOMER MODIFICATION OF THIS PRODUCT CAUSING SUBSEQUENT FAILURE IS NOT A LIABILITY OF BRIGADE ELECTRONICS PLC.

PROPRIETARY NOTICE
 THIS DESIGN AND TECHNICAL INFORMATION APPEARING ON THIS DRAWING IS THE PROPERTY OF BRIGADE ELECTRONICS, AND IS DISCLOSED IN CONFIDENCE. IT IS NOT TO BE COPIED, REPRODUCED, REVEALED TO OR EXPROPRIATED BY OTHERS, EITHER IN WHOLE OR IN PART WITHOUT THE EXPRESS WRITTEN CONSENT OF BRIGADE ELECTRONICS.



Assembly Pl Approval T.CHOI 03/05/18	Approved by B.JOHN	Checked by M.BUTLER	Released 04/05/18	Drawn by S.LAVER	Assembly Ref -
Angle of Projection Third Angle	Units mm	Scale N/A	Status RELEASED	BE-89XC	
	Part No SEE TABLE 1	BE-003783-00-18			